

## Zemote Home Automation Power Module (GSM) (Technical Manual)



**Product Code:** CEGSM

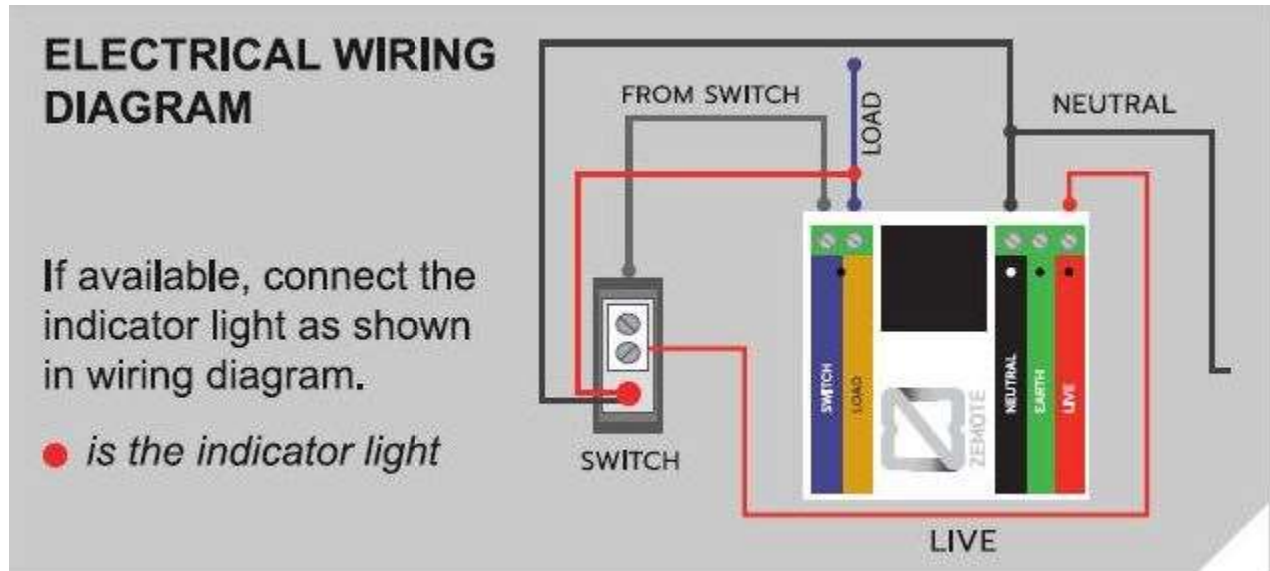
### Product Overview:

This device sits behind your switchboard and can be used to control heavy loads like Geyser, Fridge, AC, Water Pump, etc. A single device can handle one load and also tracks energy consumed by the appliances. You can save on your electricity bills by tracking the electricity consumption from the app. It will notify you in case some heavy appliance has been left ON for a longer period of time.

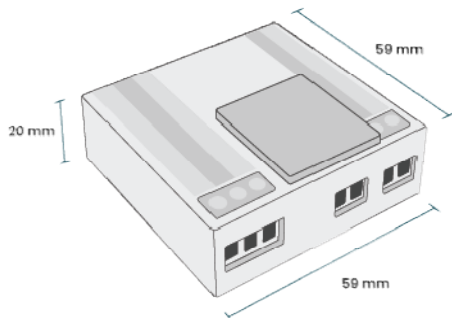
### Technical Specifications:

Power Source	: 90 - 240 VAC
Power Frequency	: 50-60Hz
Number of Switching Zones:	1
Load per switching zone	: Heavy Load upto 3kW
Operating Temperature	: -10 to +55 C
Minimum broadband speed	: 512 Kbps and above
Communication protocol	: Wi-Fi 2.4 Ghz (802.11b/g/n)
Monthly data consumption	: Less than 3 KB
Supported Appliances	: AC, Geyser, TV, Fridge, Water Pump, etc

## Wiring Diagram:



## Dimensions:



## Note: Suitable For

- Controlling up to 1 Heavy Load Appliance.

## Safety Warnings:

- Ensure that connections to the module are made only after switching OFF supply from the MCB.
- The maximum voltage during surge should be not more than 450V.
- The Module and the Loads should be connected to the same Phase of the Power supply.
- If UPS Load(Inverter) is connected, ensure that the Power from the Inverter is given to the Appliances as well as the Zemote Device.
- The Max Load per channel should be not more than 3kW.

## Standard Warranty:

Zemote offers a standard 5 years Warranty on the Power Module.