

**Zemote Home Automation**  
**Dimmable LED Driver(DLD)**  
**(Technical Manual)**



**Product Code:** CEDLD

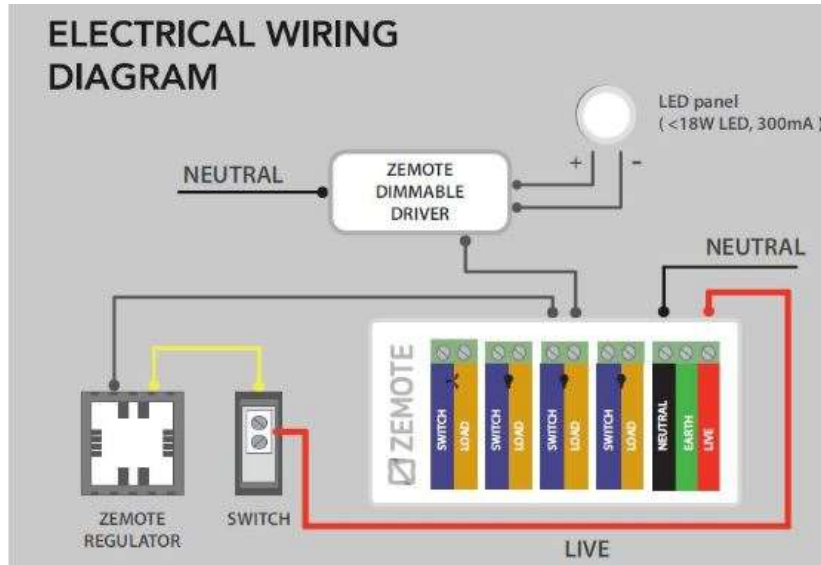
**Product Overview:**

The Zemote Dimmable LED Driver can convert any LED into a dimmable light. Just replace the existing driver and install our driver to get first of its kind 15-level LED dimming experience. The driver works along with a Light Fan Module or a Light Module. Our proprietary dimming technology ensures that you don't need any extra wiring to achieve dimming.

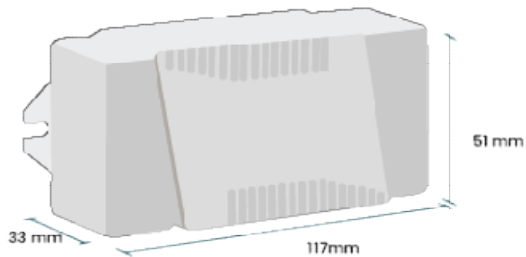
**Technical Specifications:**

Power Source	: 90 - 240 VAC
Power Frequency	: 50-60Hz
Max Power Output	: 18 Watts
Max Current	: 300mA
Load per switching zone	: LED Panel Light (18W,300mA)
Operating Temperature	: -10 to +55 C
Dimming Levels	:15 (5% to 100%) supported for use only with LFM and L2M

## Wiring Diagram:



## Dimensions:



## Note: Suitable For

- Dimming LED Panel Lights up to 18W.

## Safety Warnings:

- Ensure that connections to the module are made only after switching OFF supply from the MCB.
- The maximum voltage during surge should be not more than 450V.
- Ensure that the Power and Current Requirements of the Driver are met.
- Ensure that dimming is enabled in the app only after connecting the driver to the LFM/L2M.

## Standard Warranty:

Zemote offers a standard 5 years Warranty on the Dimmable LED Driver.