

Zemote Home Automation Smart Curtain Controller (Technical Manual)



Product Code: CECCM

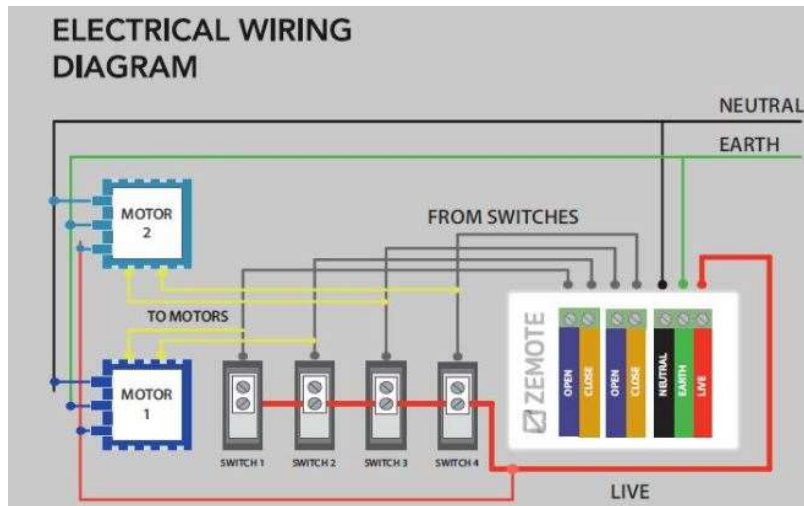
Product Overview:

The Zemote Smart Curtain Controller lets you control your motorized curtains from the Zemote App. It supports AC motors that operate on 230V AC supply and can be installed inside the switchboard. It has 2 variants, one can control 2 curtain motors and the other can control 4 curtain motors. It can also be used to control motorized projector screens.

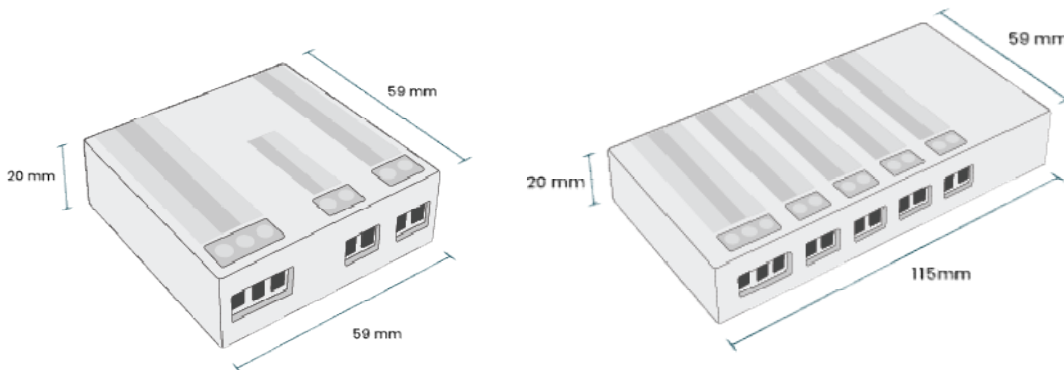
Technical Specifications:

Power Source	: 90 - 240 VAC
Power Frequency	: 50-60Hz
Number of Switching Zones:	2/4
Supported Appliance Type	: Motorised Curtains and Projector Screens
Operating Temperature	: -10 to +55 C
Minimum broadband speed	: 512 Kbps and above
Communication protocol	: Wi-Fi 2.4 Ghz (802.11b/g/n)
Monthly data consumption	: Less than 3 KB

Wiring Diagram:



Dimensions:



Note: Suitable For

- Controlling up to 3 Light Switches and 1 Fan regulator.

Safety Warnings:

- Ensure that connections to the module are made only after switching OFF supply from the MCB.
- The maximum voltage during surge should be not more than 450V.
- Ensure that the distance between the motor and the Module is at least 1m.

Standard Warranty:

Zemote offers a standard 5 years Warranty on the Curtain Controller Module.