

Zemote Home Automation
4 Light Module(Non Dimmable)
(Technical Manual)



Product Code: CE4LM

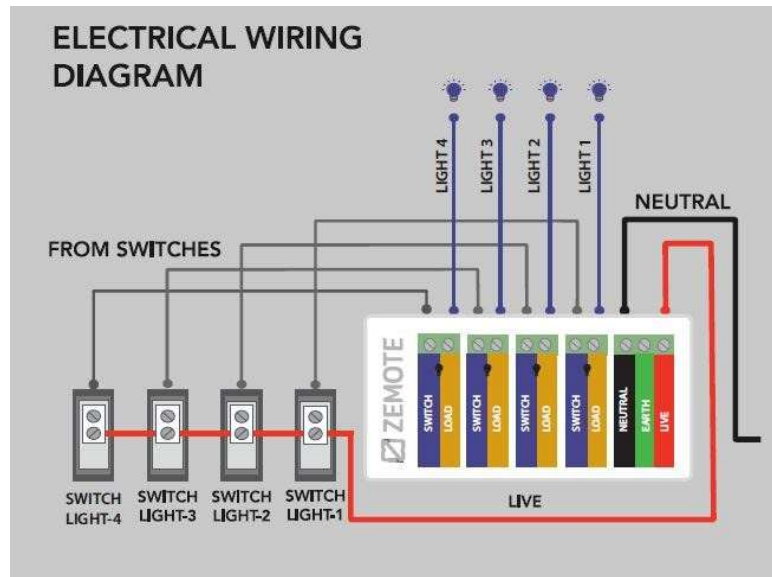
Product Overview:

The sleek device sits behind your switchboard and gives you control of your lights on the app. It syncs with the physical switches it is connected to. Your physical switches will work as they used to and you can control the appliances with the App as well. This module does not support Dimming and can be used only to switch On/Off your lights.

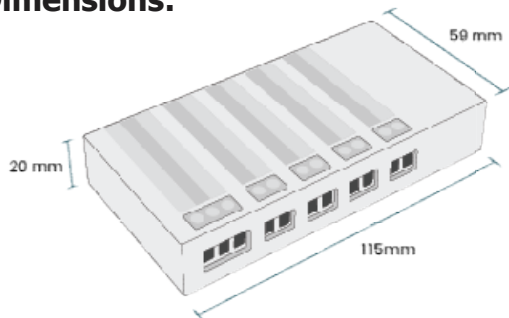
Technical Specifications:

Power Source	: 90 - 240 VAC
Power Frequency	: 50-60Hz
Number of Switching Zones:	4
Load per switching zone	: Lights 150W
Operating Temperature	: -10 to +55 C
Minimum broadband speed	: 512 Kbps and above
Communication protocol	: Wi-Fi 2.4 Ghz (802.11b/g/n)
Monthly data consumption	: Less than 3 KB

Wiring Diagram:



Dimensions:



Note: Suitable For

- Controlling up to 4 Light Switches.

Safety Warnings:

- Ensure that connections to the module are made only after switching OFF supply from the MCB.
- The maximum voltage during surge should be not more than 450V.
- The Module and the Loads should be connected to the same Phase of the Power supply.
- If UPS Load(Inverter) is connected, ensure that the Power from the Inverter is given to the Appliances as well as the Zemote Device.
- Please do not try to connect Fan on this module.

Standard Warranty:

Zemote offers a standard 5 years Warranty on the 4 Lights Non-Dimmable Module.